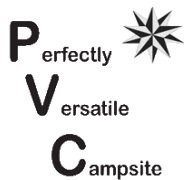


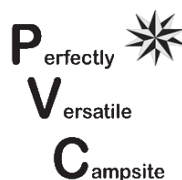
You have reached Perfectly Versatile Campsite

The plans are 11 pages, which include project plans (pages 1-9) and design notes and supply listing(pages 10-11).

The following links are Acrobat files. If you don't have Adobe Acrobat download it here.



[Project Plans 1-9](#)



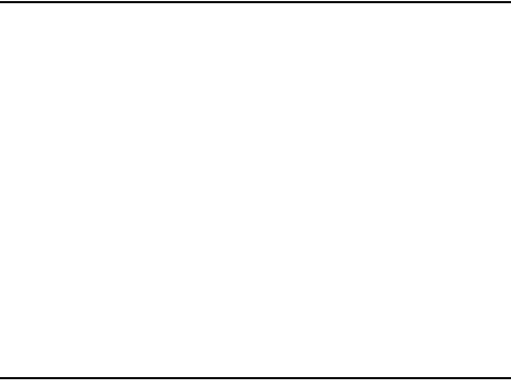
[Design Notes 10-11](#)

Click on above for download

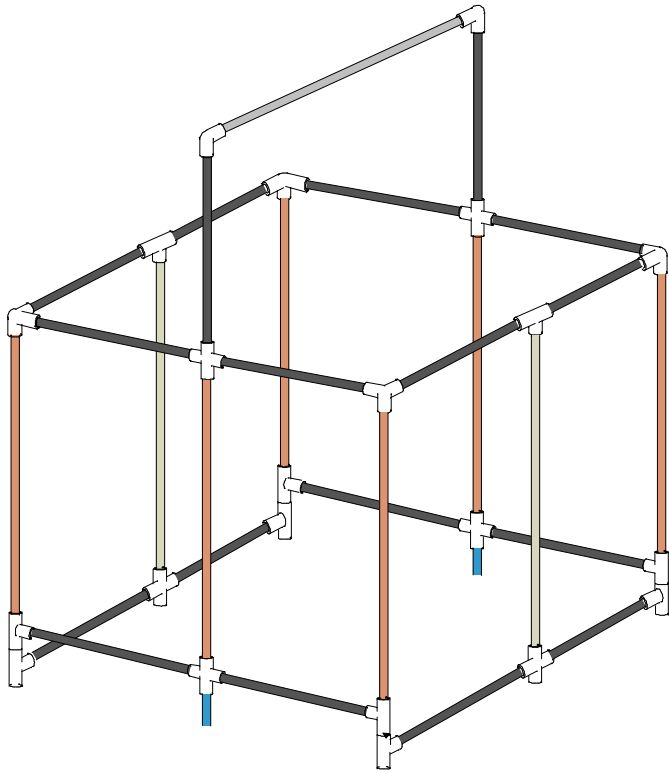
Perfectly Versatile Campsite	Food Preparation Table
Dishwashing Stand	Hand Wash Stand
Banner Frame	Trash Stand



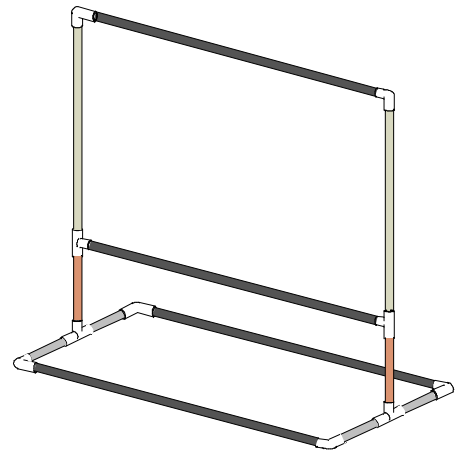
Flag Pole



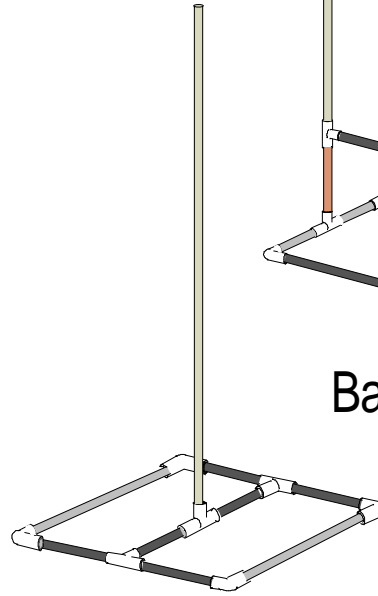
Perfectly Versatile Campsite



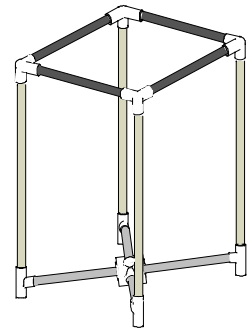
Food Preparation Table



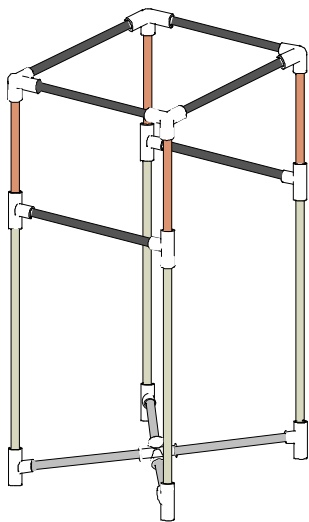
Banner Frame



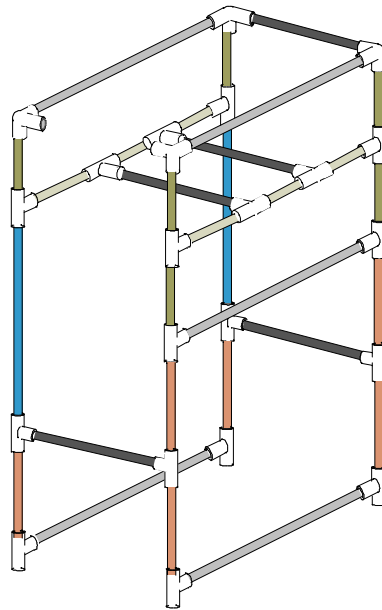
Flag Pole



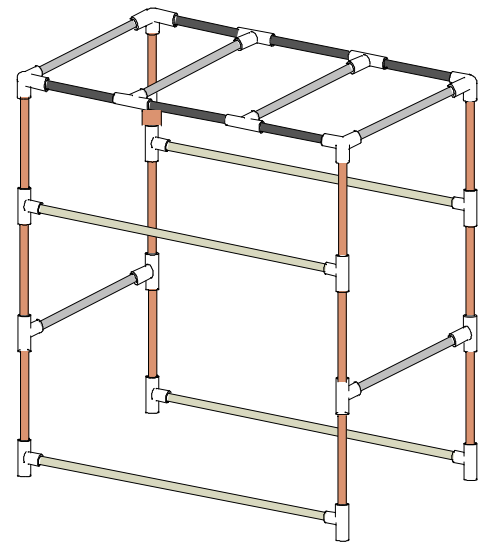
Trash Stand



Wash Stand

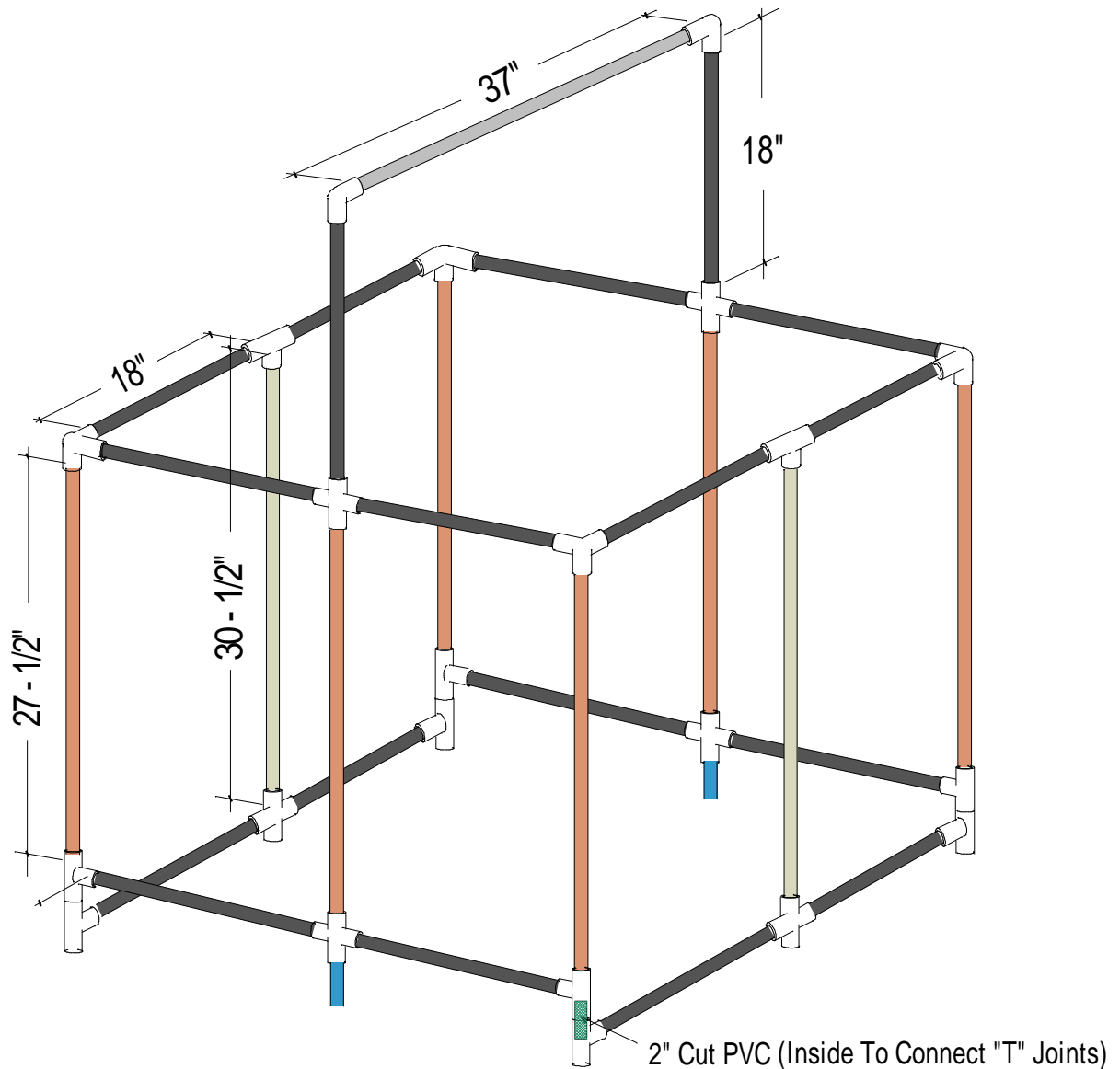


Hand Wash Stand








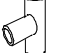

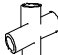

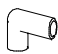
Dishwashing Stand

Food Preparation Table

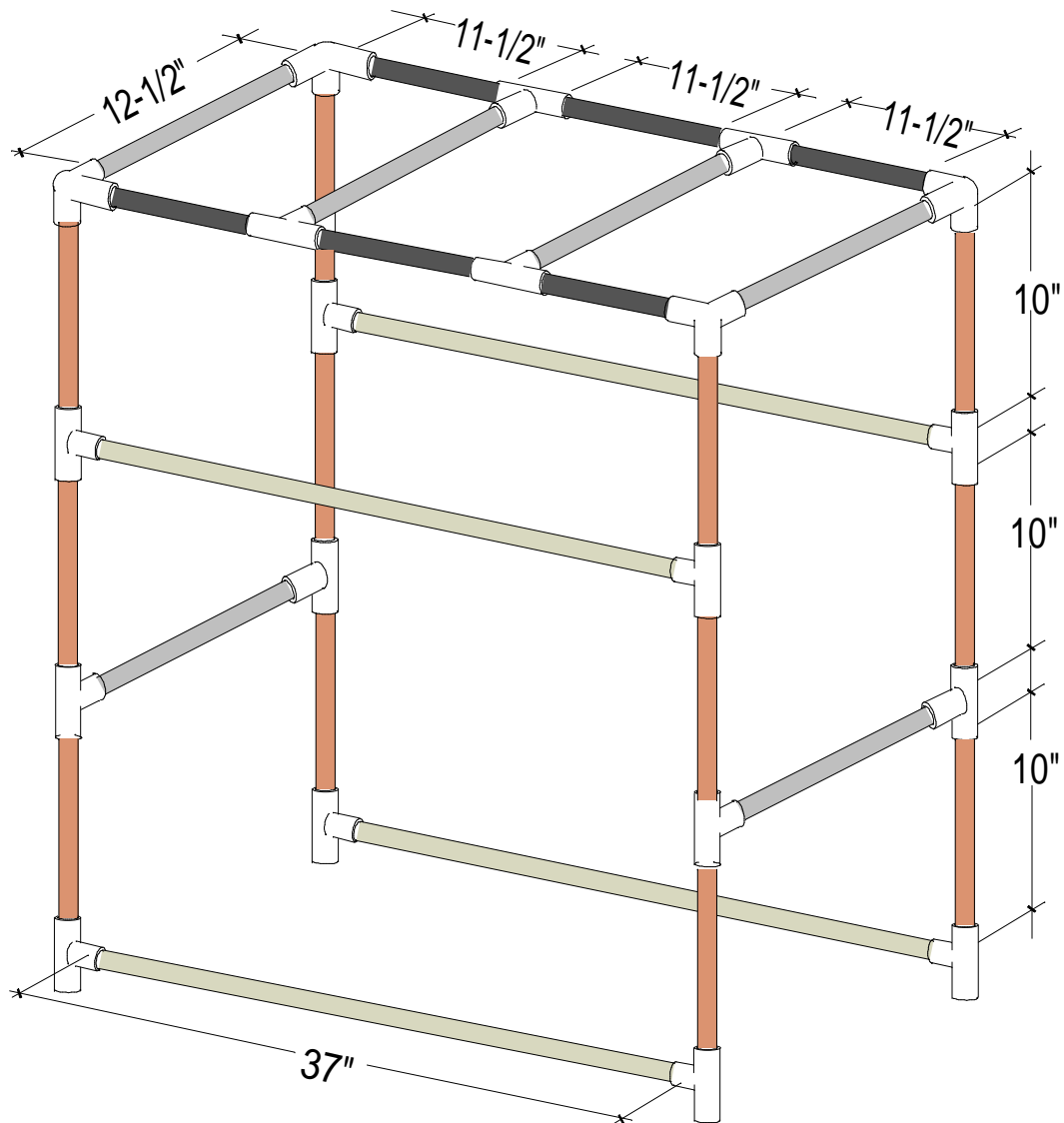


Materials List



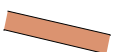

** See pages 10 and 11 for Design Notes*

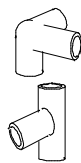
	(1) 37" Cut PVC		(4) 2" Cut PVC (To Connect "T" Joints)
	(18) 18" Cut PVC		(4) 90 Slip Side Outlet 90 Degree El
	(6) 27 - 1/2" Cut PVC		(10) 90 Degree T - Socket
	(2) 30 - 1/2" Cut PVC		(6) Cross Socket
	(2) 4" Cut PVC		(2) 90 Degree El - Socket
All PVC is 3/4" Schedule 40			

Dishwashing Stand



Materials List ** See pages 10 and 11 for Design Notes*

-  (6) 12 - 1/2" Cut PVC
-  (6) 11 - 1/2" Cut PVC
-  (12) 10" Cut PVC
-  (4) 37" Cut PVC

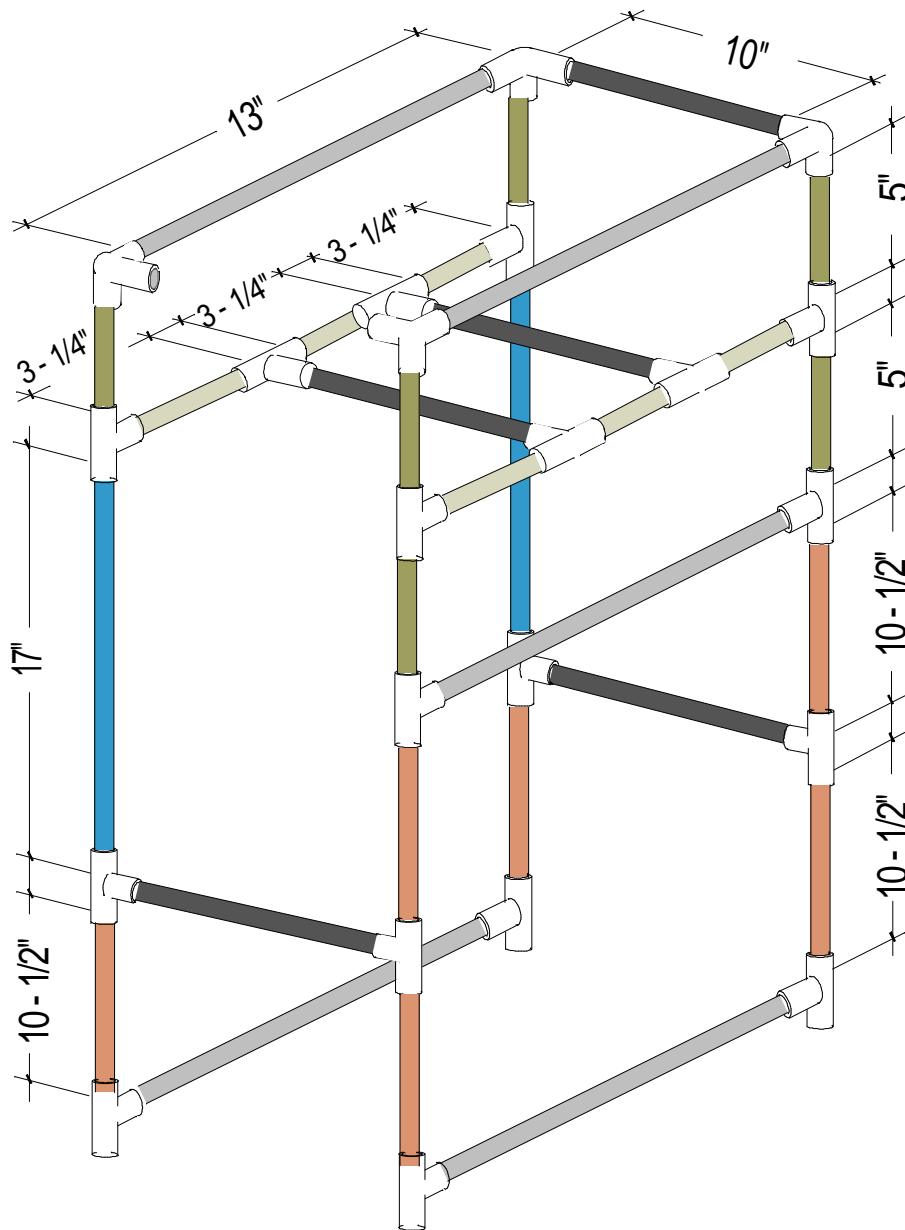


(4) Slip Side Outlet 90 Degree El

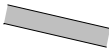

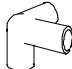


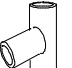
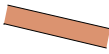
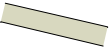
(16) 90 Degree T - Socket

All PVC is 3/4" Schedule 40

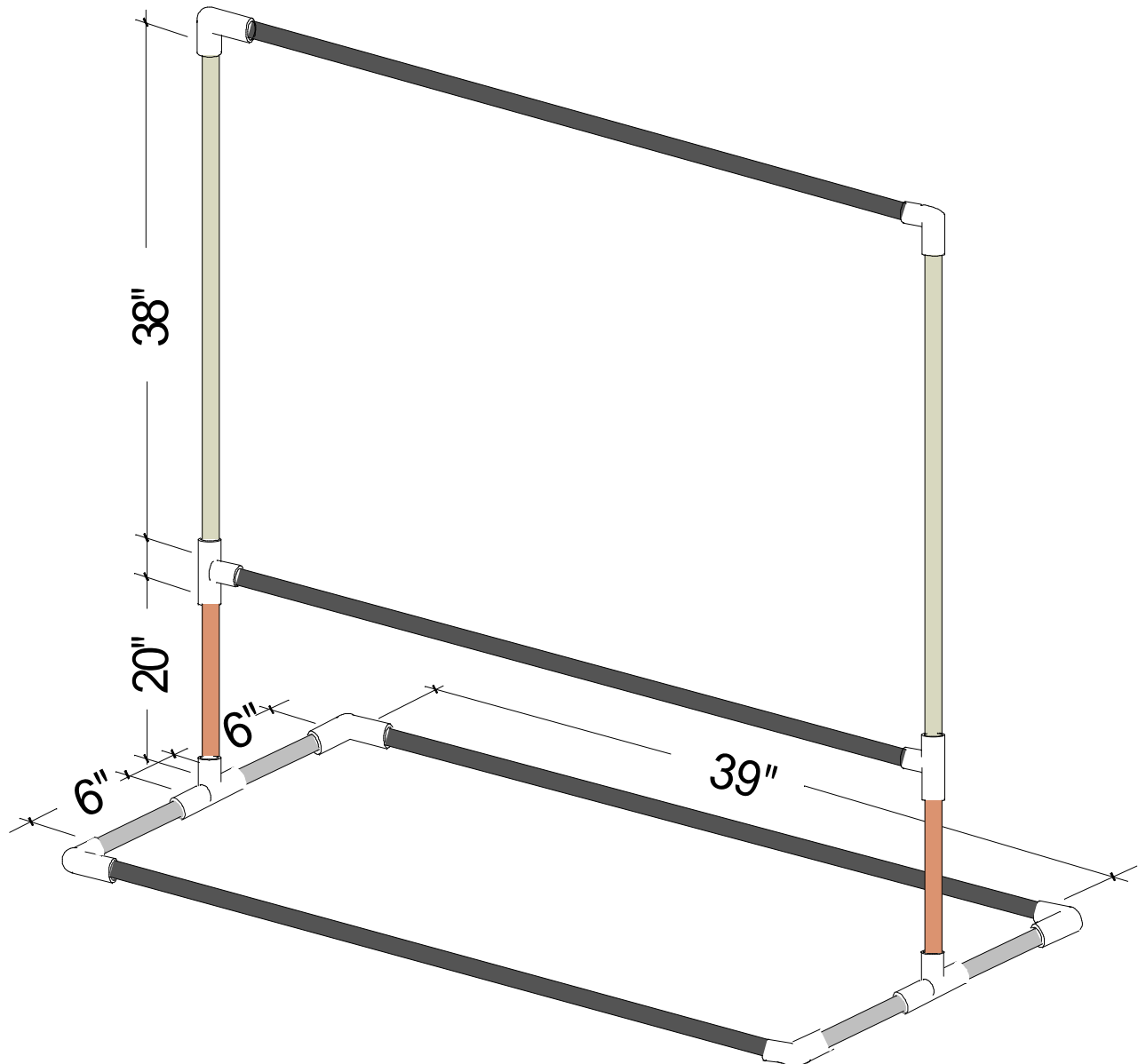
Hand Wash Stand





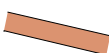

Materials List ** See pages 10 and 11 for Design Notes*

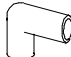
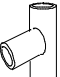
- | | | |
|---|---|--|
|  (5) 13" Cut PVC |  (6) 5" Cut PVC |  (4) Slip Side Outlet 90 Degree El |
|  (5) 10" Cut PVC |  (2) 17" Cut PVC |  (18) 90 Degree T - Socket |
|  (6) 10 - 1/2" Cut PVC | | |
|  (6) 3 - 1/4" Cut PVC | | |
- All PVC is 3/4" Schedule 40

Banner Frame



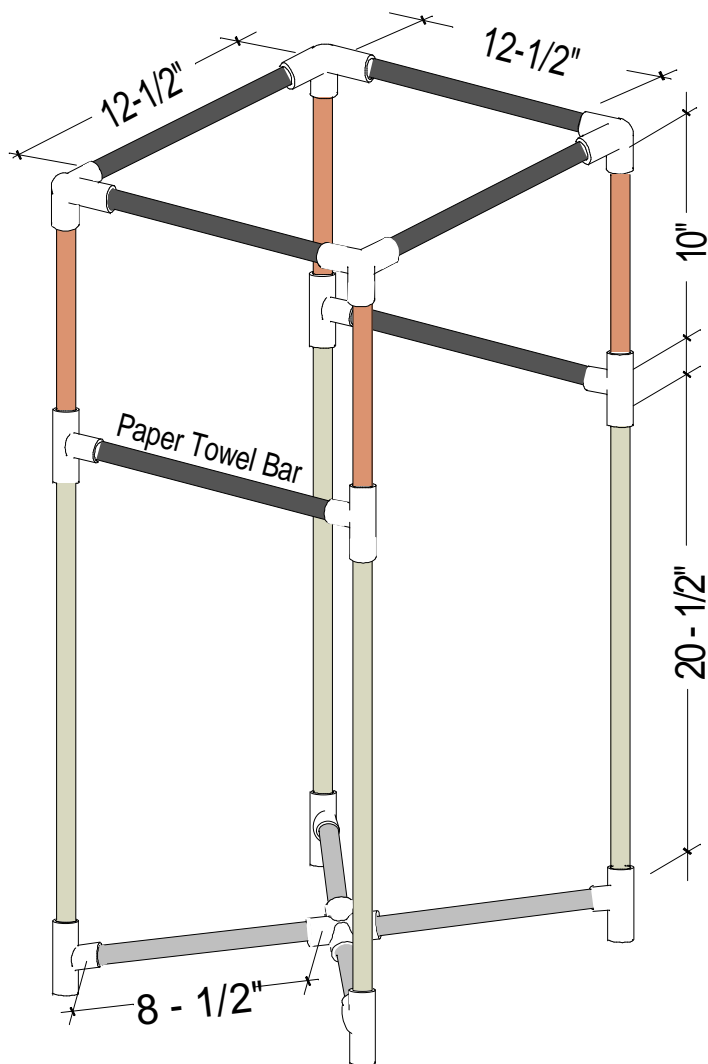
Materials List ** See pages 10 and 11 for Design Notes*

-  (4) 6" Cut PVC
-  (4) 39" Cut PVC
-  (2) 20" Cut PVC
-  (2) 38" Cut PVC


-  (6) 90 Degree El - Socket
-  (4) 90 Degree T - Socket


All PVC is 3/4" Schedule 40

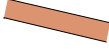
Wash Stand




Materials List ** See pages 10 and 11 for Design Notes*

 (4) 8 - 1/2" Cut PVC

 (6) 12 - 1/2" Cut PVC

 (4) 10" Cut PVC

 (4) 20 - 1/2" Cut PVC



(4) Slip Side Outlet 90 Degree El



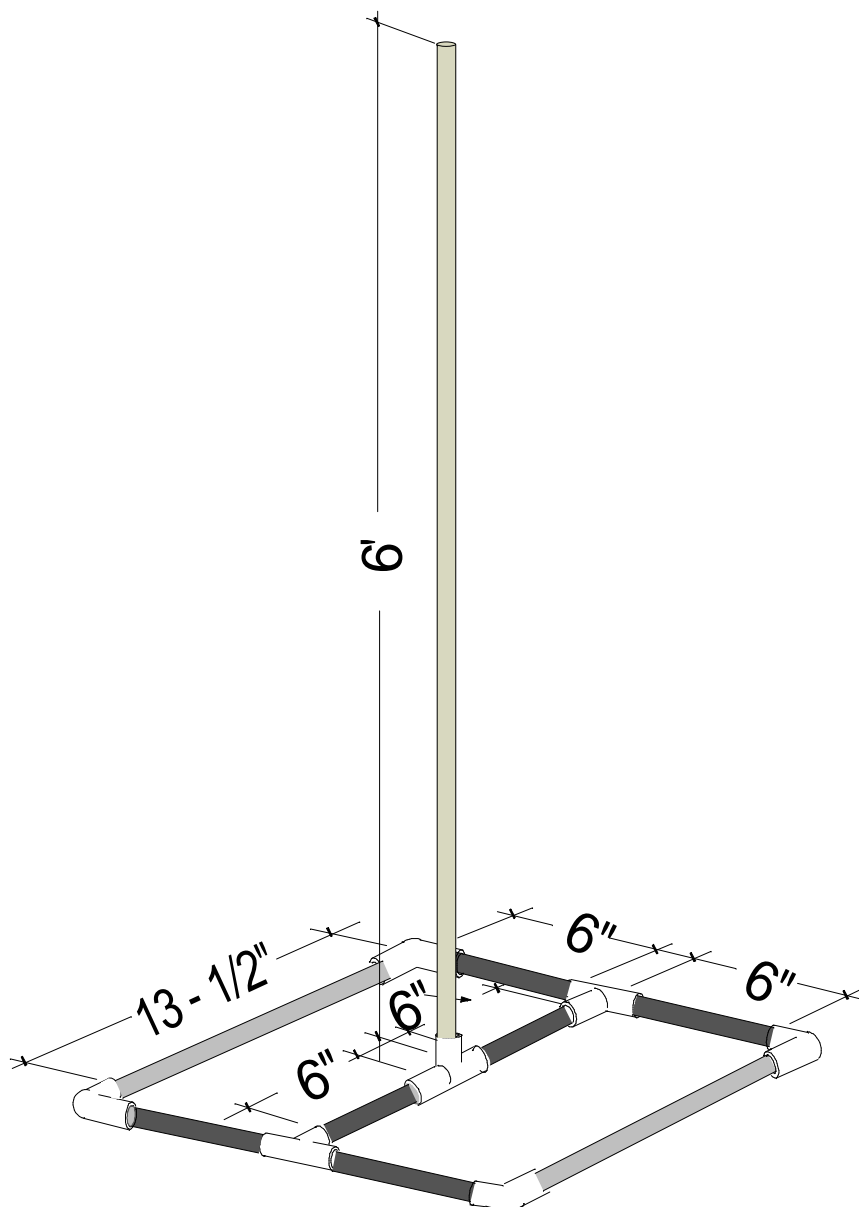
(8) 90 Degree T - Socket






(1) Cross Socket

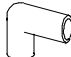
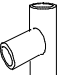
All PVC is 3/4" Schedule 40

Flag Pole



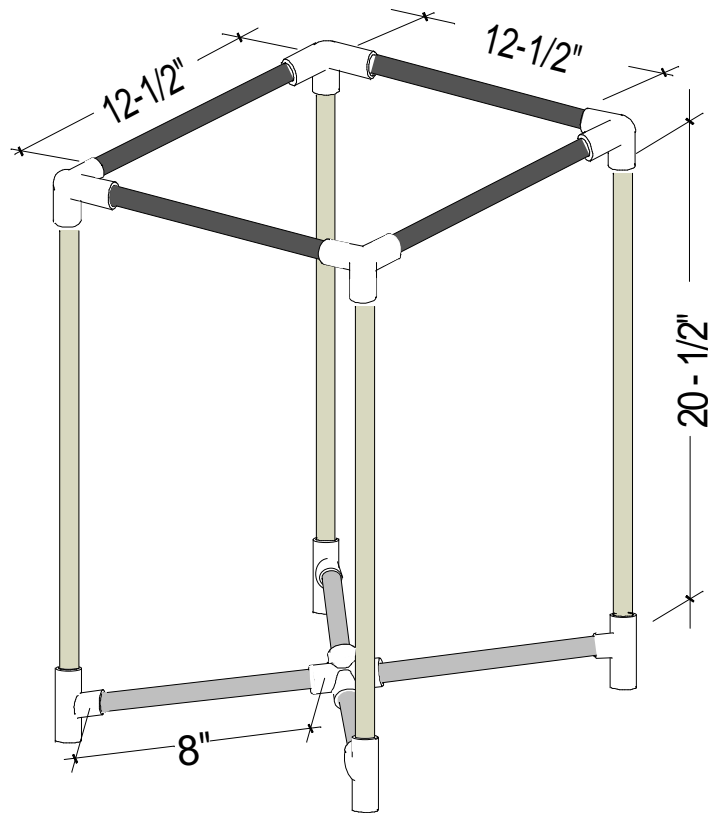
Materials List ** See pages 10 and 11 for Design Notes*

-  (2) 13 - 1/2" Cut PVC
-  (6) 6" Cut PVC
-  (1) 6' Cut PVC

-  (4) 90 Degree El - Socket
-  (3) 90 Degree T - Socket

All PVC is 3/4" Schedule 40

Trash Stand



Materials List ** See pages 10 and 11 for Design Notes*

(4) 8" Cut PVC

(4) 12 - 1/2" Cut PVC

(4) 20 - 1/2" Cut PVC



(4) Slip Side Outlet 90 Degree El



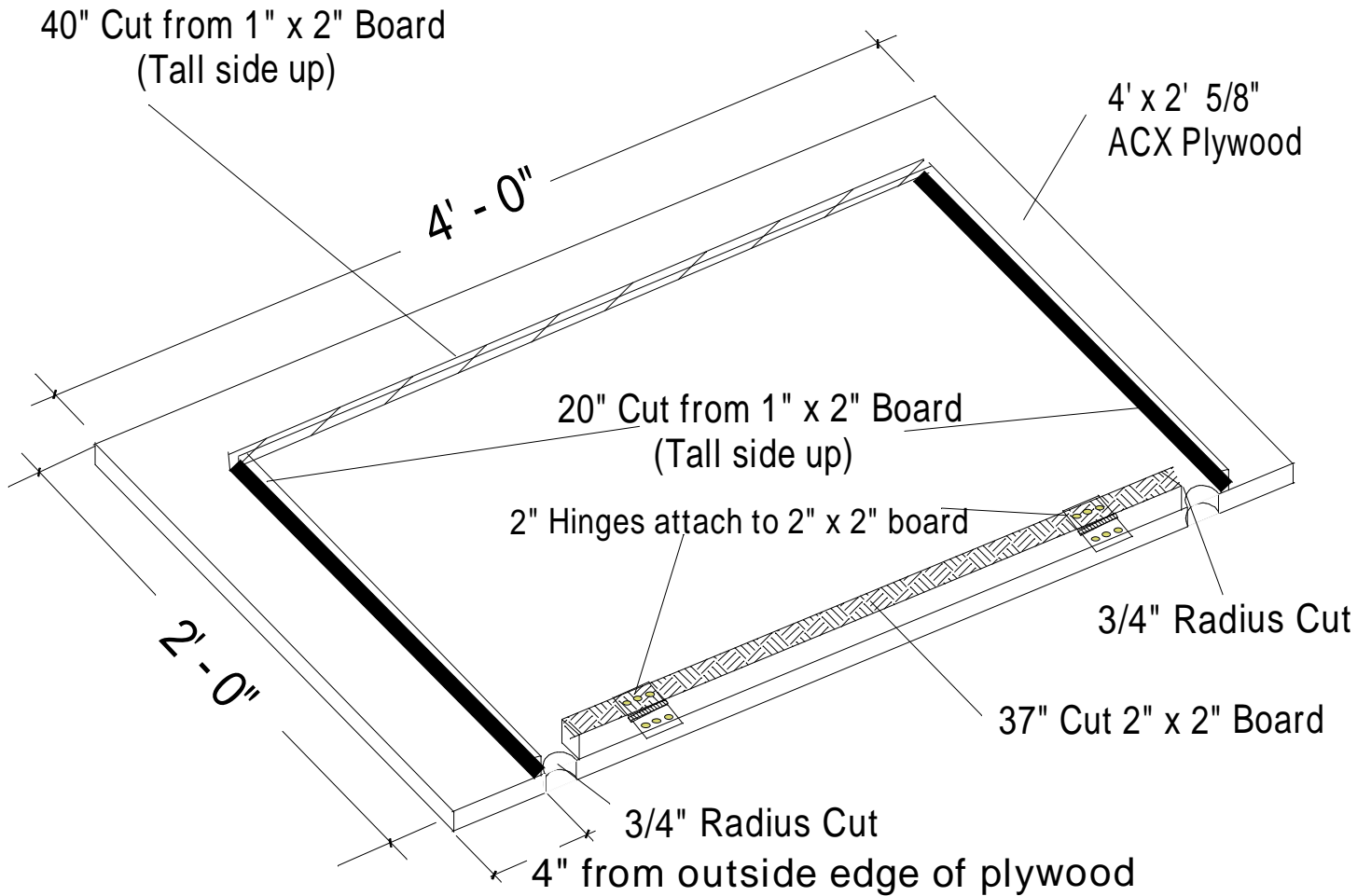
(4) 90 Degree T - Socket



(1) Cross Socket




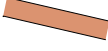
All PVC is 3/4" Schedule 40

Table Top



Note: Above figure is the bottom view of 1 of 2 sides of table top.
 The 2 sides are attached with (2) 2" hinges when top is folded.
 All edges of ACX Plywood should be beveled and sanded.
 When folded, two sides will make a box which can store table pieces.
 A hook & eye can be used to secure two side closed.

Materials List ** See pages 10 and 11 for Design Notes*

-  (2) 4' x 2' 5/8" ACX Plywood
-  (4) 20" Cut 1" x 2" Board
-  (2) 40" Cut 1" x 2" Board
-  (2) 37" Cut 2" x 2" Board
- (24) 1-1/2" Wood Screws

Design Notes

Please feel free to share these instructions with anyone you wish. All we ask is that you share the **ENTIRE** packet. This way, everyone has the same information in regards to where to obtain materials, measurements, etc. These plans may not be sold, or altered. No finished designs may be sold for profit. We reserve all rights.

The measurements supplied in this packet were designed with joints from the companies listed below. Any other manufacturer may differ and your measurements may vary. To remain consistent, do not mix joints from various manufacturers on a design. If you are not using Spears Joints, please make sure that your 90 Degree T-Sockets measures 3 inches long and your Cross T- Sockets measures 3 ¼ inches long. The only joint you may not find in your local hardware store is the "Slip Side Outlet 90 degree EL". You may order them from My-tee fittings in quantities of 25. The address is listed below. We do not recommend using an irrigation reducer for coroners, as it alters measurements and is not as sturdy.

It is a good idea to mark the edge of your cut pipe with the measurements and the initials of the piece of equipment it belongs to. For easy assembly, it's a good idea to keep a copy of this packet in a plastic sleeve with your camping equipment. To insure the stability of your camp equipment, make sure that you push the PVC pipe into the joint's snugly from all directions. To support the weight of water, we recommend gluing the entire top of the Dishwashing Stand together.

If you have any questions or suggestions, please feel free to e-mail us at GSPiglet@yahoo.com
Pictures of the camping equipment can be found on GS Piglet's Page at: <http://www.GSPiglet.org>

Happy Camping!

Steve and Brenda Wildish



PVC Joints from Spears, Inc "<http://www.spears.com>"

Spears, Inc. - Pacific Southwest

15860 Olden Street

Sylmar (Los Angeles), CA 91432

P.O. Box 9203, Sylmar, CA 91392

(818) 364-1611

(800) 862-1499

FAX: (818) 367-3014



90 Degree T - Socket 401-007



Cross Socket 420-007



90 Degree El - Socket 406-007



PVC Joint from MY-TEE Fittings "<http://www.my-tee.com>"

My-Tee Fittings, Inc

18903 Anelo Avenue

Gardena, CA 90204

Local: (310) 324-4314

Out of State: (800) 344-1174

California: (800) 426-8844

FAX (310) 329-0120



Slip Side Outlet 90 Degree EL SO439

Design Notes

We have estimated the maximum cuts per piece. If you plan to make more than one project, check to see if you have any left over pieces before you purchase additional pipe. We have figured these measurements based on 10' lengths. Each piece of equipment has the number of pipe pieces and cuts figured out for you. Measure and cut one piece at a time.

Food Preparation Table Frame

A wood table top can be made to fit this frame (See page 9). You can also lash a table top with additional PVC pipe or wood

10' Length	Inches	Pieces	Length	Pieces	Length	Left Over
1	120	6	18	2	3 1/2	5
2	120	6	18	4	2	4
3	120	6	18			12
4	120	1	36	2	30 1/2	23
5	120	4	27 1/2			10
6	120	2	27 1/2			65

Dishwashing Stand

A standard dishpan will fit. However we recommend the Large (15.6 qt) Rubbermaid Tubs. You won't regret spending the few extra dollars.

10' Length	Inches	Pieces	Length	Pieces	Length	Left Over
1	120	6	12 1/2	1	37	8
2	120	6	11 1/2	1	37	14
3	120	6	10	1	37	23
4	120	6	10	1	37	23

Hand Wash Stand

We use a 5 gallon Coleman water jug, model # 5620. Adjust measurements for larger water jug. A cheaper way is to purchase a 2/12 gallon jug of water (the type with the tap) at the grocery store.

10' Length	Inches	Pieces	Length	Pieces	Length	Pieces	Length	Left Over
1	120	6	10 1/2	6	3 1/4	6	5	8
2	120	5	13	5	10			5
3	120	2	17					86

Banner Frame

For the banner base, some people have made it bigger thinking it would hold up in the wind. (Not True) PVC pipe is lightweight. To weigh it down, put a large rock on the base or fill with sand.

10' Length	Inches	Pieces	Length	Pieces	Length	Left Over
1	120	2	38	4	6	20
2	120	2	39	1	20	22
3	120	2	39	1	20	22

Wash Stand

Use same dishpan as dishwashing stand. Also Has bar for dish towel or paper towel.

10' Length	Inches	Pieces	Length	Pieces	Length	Left Over
1	120	6	12 1/2	4	10	5
2	120	4	20 1/2	4	8 1/2	4

Trash Stand

Use 30 gal draw string trash bag.

10' Length	Inches	Pieces	Length	Pieces	Length	Pieces	Length	Left Over
1	120	4	12 1/2	4	8	1	20 1/2	17.5
2	120	3	20 1/2	-	-	-	-	58.5

Flag Stand

Same principal applies as the banner in regards to weightin g down the flag stand base. To secure your flag, sew a strip of fabric along the edge of the flag. Flag can be slipped over the pole. Another way to secure your flag to the pole is to drill two holes in pipe and attach with binder rings.

10' Length	Inches	Pieces	Length	Pieces	Length	Left Over
1	120	1	72	2	13 1/2	21
2	120	6	6			84